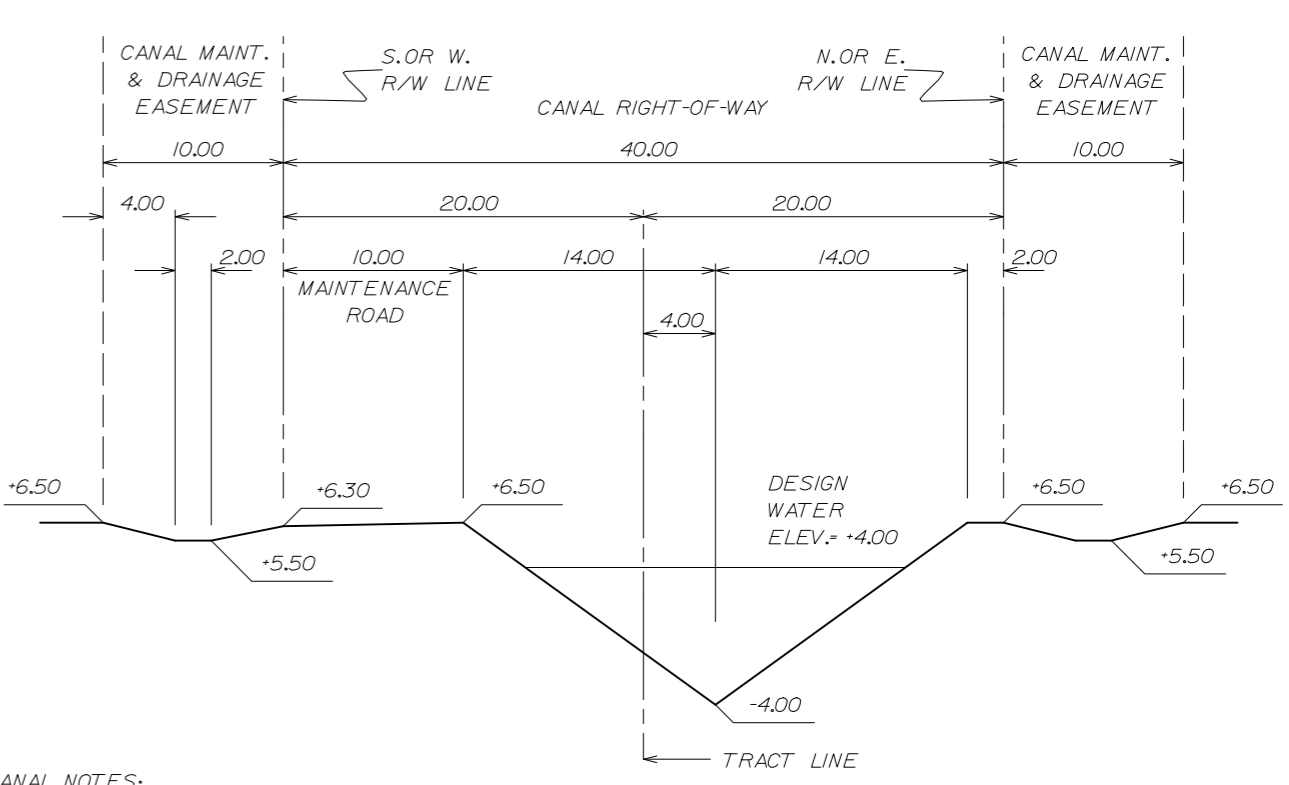
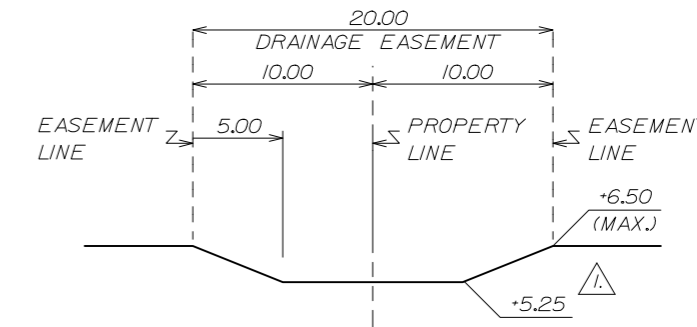


LOCATION MAP



TYPICAL CANAL SECTION

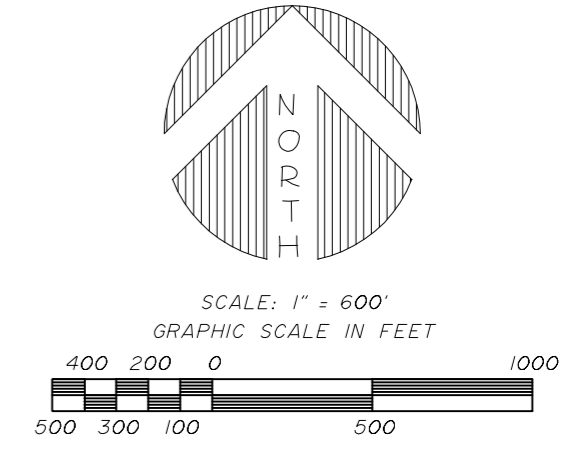
CANAL NOTES:  
 1. No trees or fences allowed in easement or right-of-way.  
 2. Top 12" of maintenance road shall be stabilized to an LBR of 40.  
 3. Seed and mulch above elevation 4.00.



COLLECTOR SWALE SECTION

NOTE:  
 THE ARROW DENOTES  
 FLOW DIRECTION IN THE  
 COLLECTOR SWALES

- NOTES:
- ALL CANALS ARE TO BE INTERCONNECTED.
  - EACH PUMP STATION DELIVERS 20,000 GPM FOR A COMBINED POTENTIAL DISCHARGE OF 312 CFS.
  - ALL SWALES ARE TO BE CONNECTED TO THE CANALS WITH AN INLET AND PIPE.
  - CONTROL WATER ELEVATION IS 4.0 FEET NGVD.
  - MINIMUM FLOOR ELEVATION IS 9.0 FEET NGVD.
  - MINIMUM ROAD CROWN IS 7.0 FEET NGVD.
  - THE ESTABLISHED NATURAL GRADE IS 6.5 FEET NGVD.
  - INDIVIDUAL LOTS UNDER 3/4 ACRE MUST HAVE APPROXIMATELY 30% OF THE SITE AT OR BELOW ESTABLISHED NATURAL GRADE.
  - INDIVIDUAL LOTS OVER 3/4 ACRE MUST HAVE APPROXIMATELY 50% OF THE SITE AT OR BELOW ESTABLISHED NATURAL GRADE.
  - DEVELOPMENTS MUST PROVIDE MINIMUM TOTAL SURFACE AND SUB-SURFACE STORAGE OF 0.76 ACRE-Feet AT ELEVATION 7.0 FEET NGVD, 128 ACRE-Feet AT ELEVATION 8.0 FEET NGVD, AND 201 ACRE-Feet AT ELEVATION 9.0 FEET NGVD.
  - WATER QUALITY TREATMENT MUST BE PROVIDED AT OR BELOW ELEVATION 4.5 FEET NGVD FOR WET DETENTION AND AT OR BELOW 6.5 FEET NGVD FOR DRY DETENTION.
  - REFER TO THE SOUTH FLORIDA WATER MANAGEMENT DISTRICT SURFACE WATER MANAGEMENT PERMIT NUMBER 06-00472-1 FOR ADDITIONAL INFORMATION.
  - PROSPECTS 10 ACRES OR LARGER WILL REQUIRE SEPARATE PERMITTING FROM THE SOUTH FLORIDA WATER MANAGEMENT DISTRICT.
  - NEW DEVELOPMENTS, OVER 5 ACRES, SHALL HAVE A POSITIVE CONNECTION TO A CANAL.



APPROVED: BOARD OF SUPERVISORS 12/16/93	DATE: 12/16/93	DESIGNED: DAF	DATE: JUNE, 1993	CODE CHANGES ADOPTED BY BOARD 22 JANUARY 98	27 AUG 02
DRAWN: CAD	DATE: JUNE, 1993	PROJECT NUMBER: 88574	SHEET: 1 OF 1	CODE CHANGES ADOPTED BY BOARD 25 MAY 95	10 AUG 95
CHECKED:	DATE:	REVISIONS		DATE	